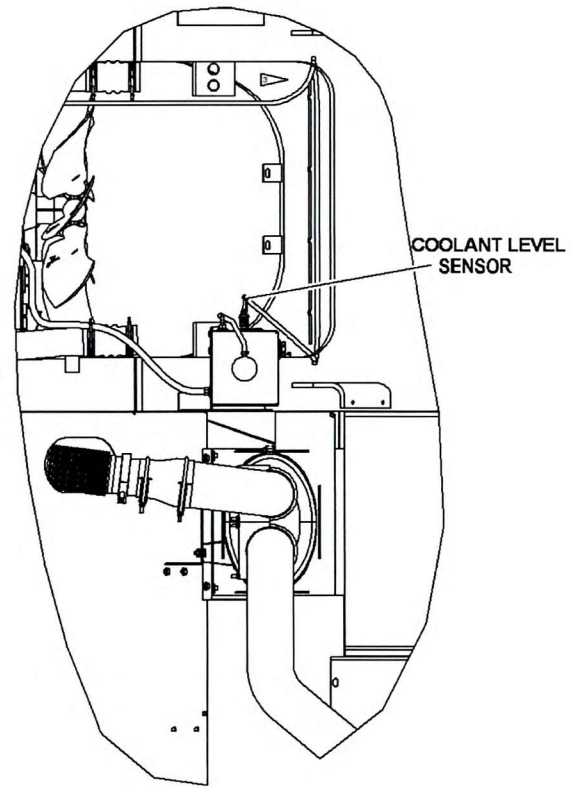
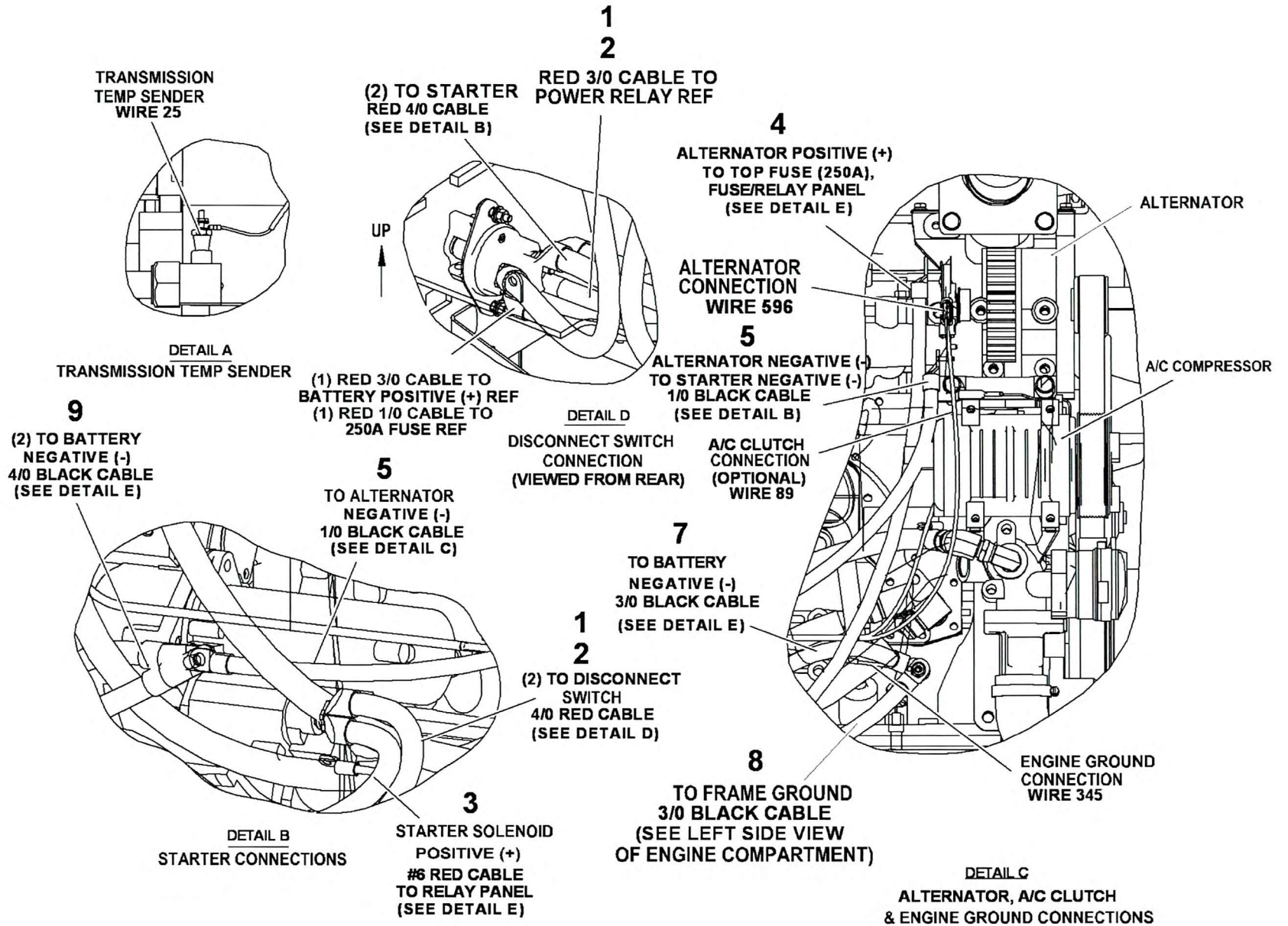
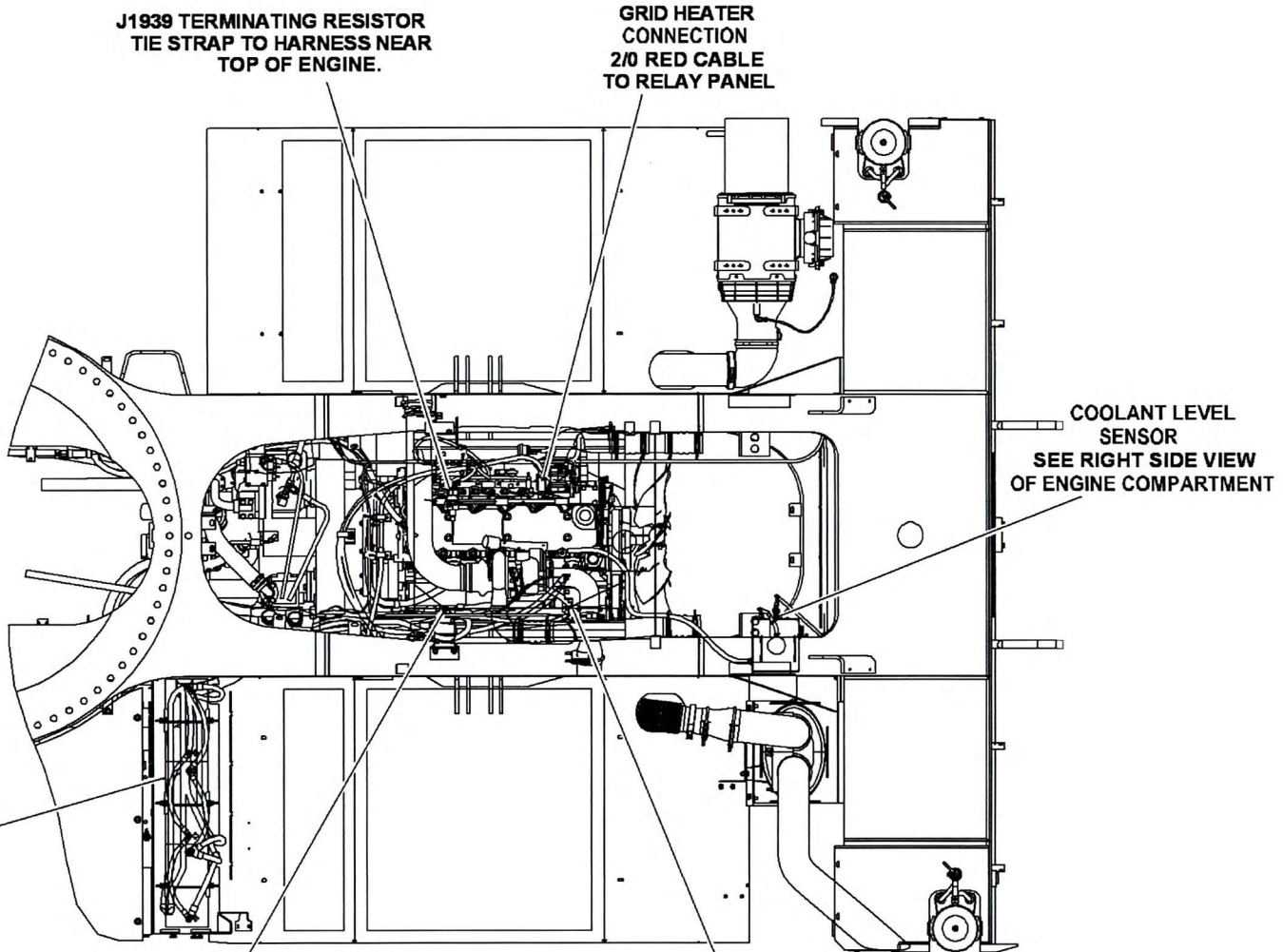


DETAIL E
 FUSE/RELAY PANEL
 BATTERY CONNECTIONS
 (VIEW LOOKING FORWARD)



DETAIL F
 SURGE TANK
 COOLANT LEVEL SENSOR
 (TOP VIEW)





J1939 TERMINATING RESISTOR
TIE STRAP TO HARNESS NEAR
TOP OF ENGINE.

GRID HEATER
CONNECTION
2/0 RED CABLE
TO RELAY PANEL

COOLANT LEVEL
SENSOR
SEE RIGHT SIDE VIEW
OF ENGINE COMPARTMENT

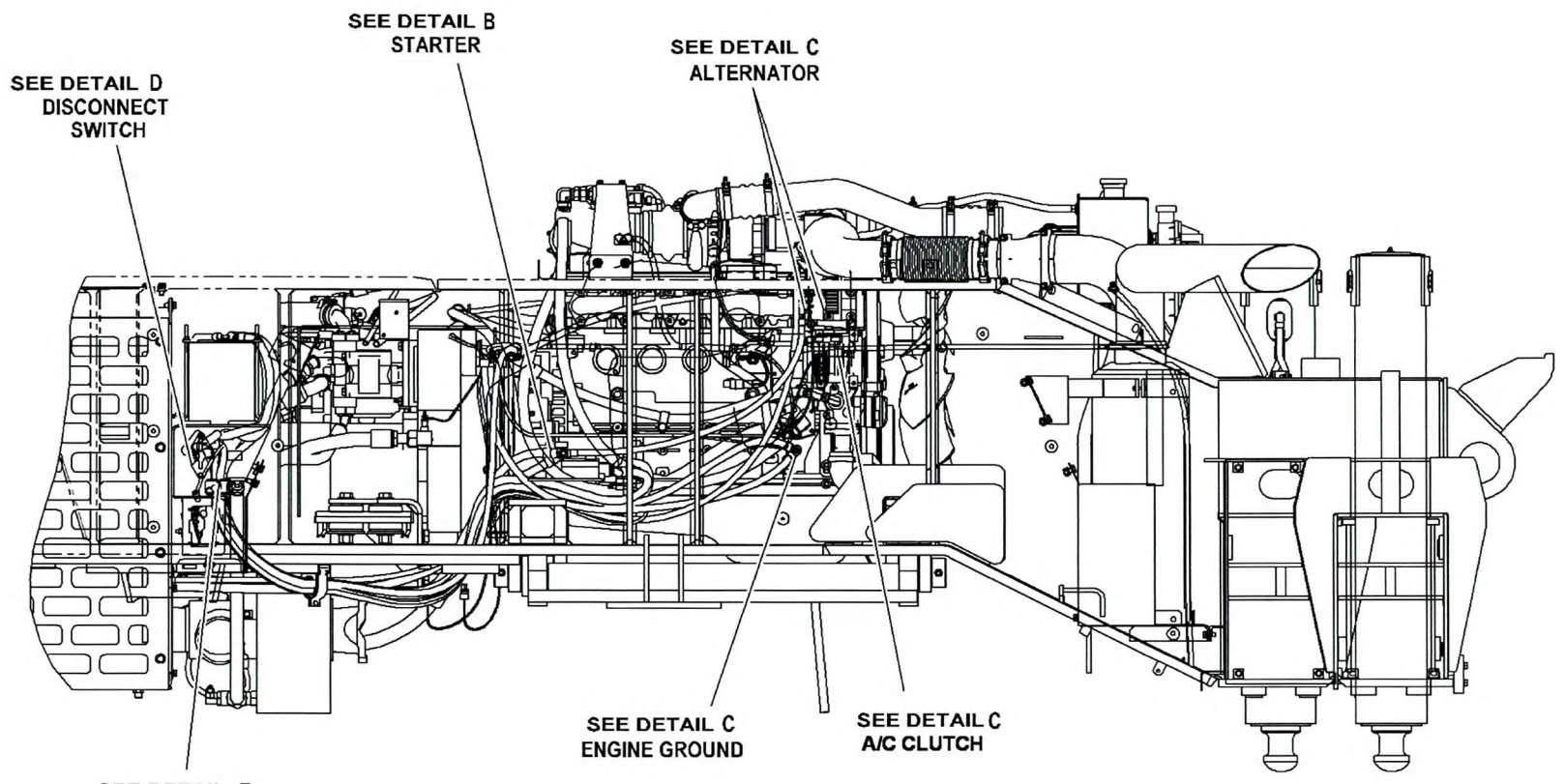
SEE DETAIL E
FUSE & RELAY
PANEL

SEE DETAIL B
STARTER

SEE DETAIL C
ALTERNATOR, A/C
CLUTCH & ENGINE
GROUND

TOP VIEW OF ENGINE COMPARTMENT

← FORWARD



LEFT SIDE VIEW OF ENGINE COMPARTMENT
(LEFT FRAME RAIL NOT SHOWN FOR CLARITY)

← FORWARD